

COMPANY PROFILE



PT. HUTAMA WISESA KERTAKARYA

Specialized in

Steel Fabrication, Hoist Recondition

Spare Parts, Maintenance

Installation and Refurbishment

THE GOAL OF THE COMPANY

We produce and assemble supporting units for cranes to be more efficient in order to make them fit for the proper use.

THE PRODUCTS RANGE

1. DESIGN AND PRODUCTION

- Electric overhead traveling crane
- Gantry and semi gantry crane
- Jib crane
- Container handling cranes
- Goods lift
- Refurbishment of existing cranes

2. TRADING

- Crane components: wire rope hoist, chain hoist, wheel blocks, drive units, electrical system, power supply system, accessories.
- Handling equipments (e.g: lifting equipment, spreader, beam, radio remote control, etc.).
- Guaranteed Recondition hoist.

3. SERVICE & MAINTENANCE

- Quick service ** We diagnose problems
- On-time service ** We recommend the parts used
- On-call service ** We provide regular maintenance
- Available spare parts ** Our technicians are reliable and competent

VISION :

Become well-known companies in Crane System & Steel Structure industries with quality products, competitive and able to adapt to change.

MISSION :

Doing a good cooperation in the procurement of goods and services for industrial and establish a good relationship with customers and suppliers.

GOAL :

We produce and assemble supporting units for cranes to be more efficient in order to make them fit for the proper use.

PT. HUTAMA WISESA KERTAKARYA,

Engaged in the procurement of goods and services by businesses of Crane System & Steel Structure, fitting assembly, industrial equipment, material handling equipment, engineering designed, etc. We have been doing a lot of good cooperation with reputable companies.



PT. HUTAMA WISESA KERTAKARYA

Specialized in

Steel Fabrication, Hoist Recondition

Spare Parts, Maintenance

Installation and Refurbishment

COMPANY PROFILE

Finance Office : Jl. Albasia Utama B5 no.1

PT. HUTAMA WISESA KERTAKARYA Jakarta – 11820

Telp: 5556162, 5551904

Fax.: 5556163

Sales Office : Ruko Mutiara Taman Palem A7 No. 11

Jl. Kamal Raya Outer Ring Road

Cengkareng – 11730

Telp. 54358182~84, Fax. 54358185

Workshop : Jl. Pergudangan 99 no. BG & 99T

Salembaran – Tangerang

Email add. : sales@pt-hwk.com

THE PRODUCTS RANGE :

TRADING

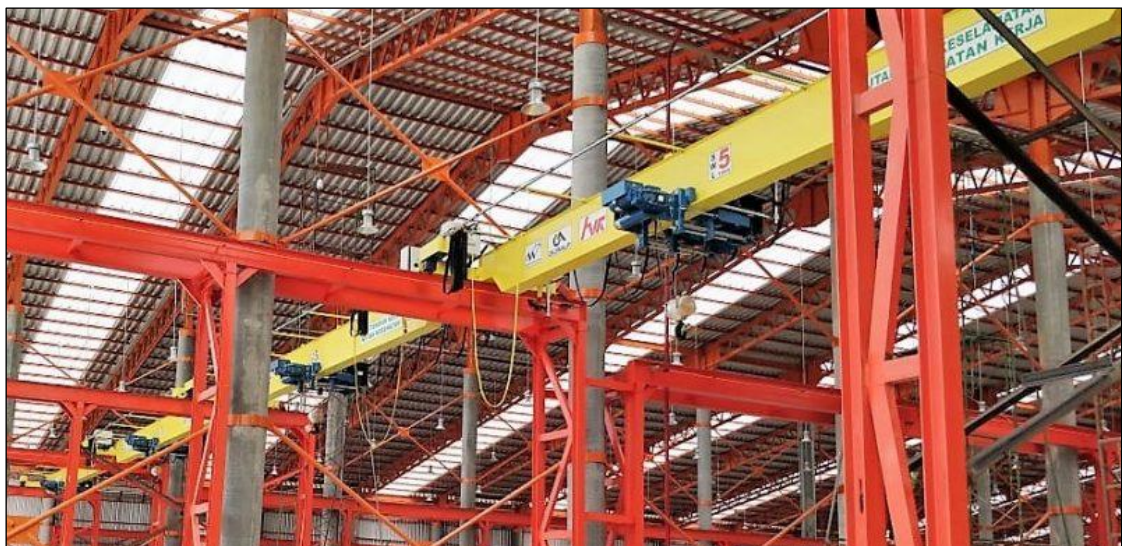
- Crane components: wire rope hoist, chain hoist, wheel blocks, drive units, electrical control system, power supply system.
- Handling equipments (e.g: vacuum lifting equipment for glass handling, container spreader, radio remote control, transfer cart, etc.).
- Guaranteed second-hand hoist.

DESIGN AND PRODUCTION

- Double Girder Overhead Travelling Crane



- Single Girder Overhead Travelling Crane



➤ Gantry and Semi Gantry Crane



➤ Jib crane



➤ Goods Lift



➤ Our Projects



PT. WIKA BETON - SUBANG



PT. ADHI KARYA - MAKASAR



PT. DIRGANTARA INDONESIA



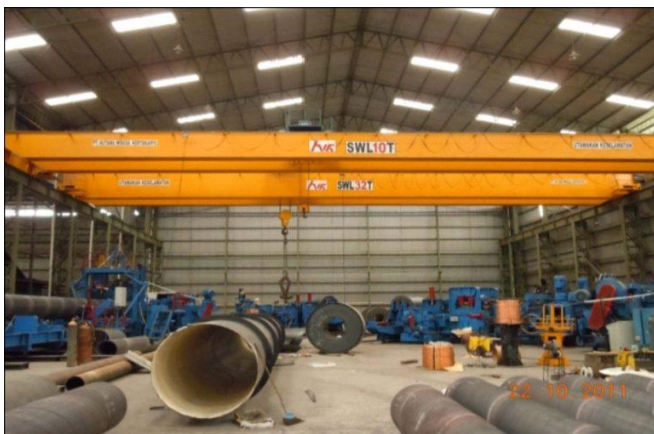
PT. TEKNOLOGI REKAYASA KATUP



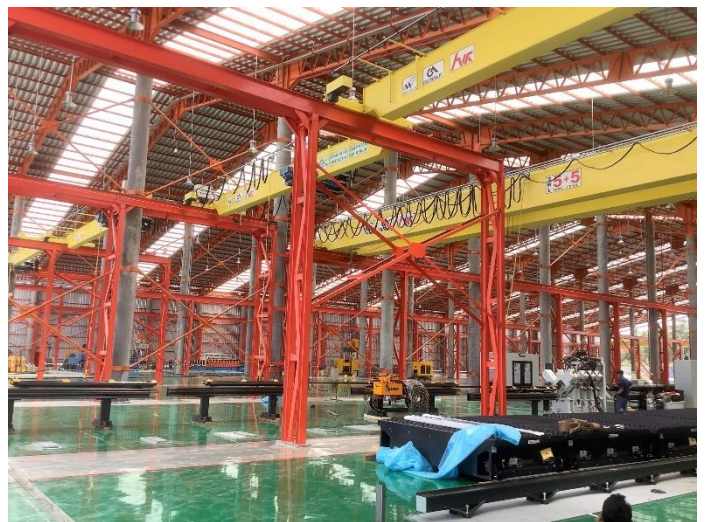
PT. ARTHA UTAMA PLASINDO



PT. BONNA INDONESIA

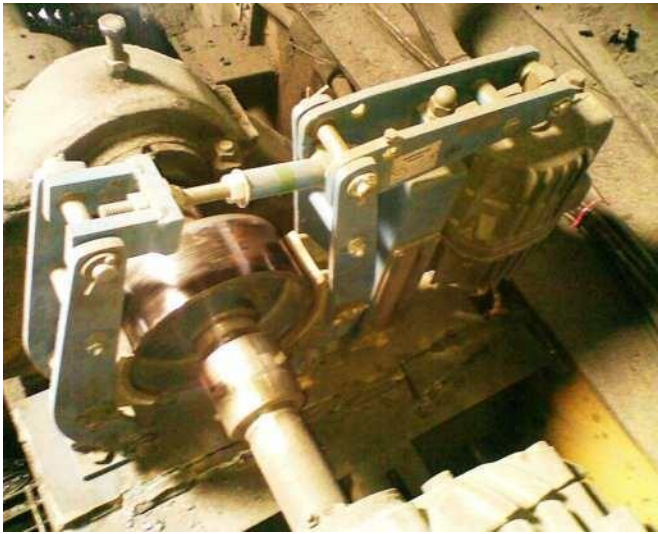


PT. SWARNA BAJA PACIFIC



PT. WASKITA KARYA INFRASTRUKTUR

➤ Refurbishment of existing cranes



➤ Electro Hydraulic Disc Brakes



MA WISESA KERTAKARYA

➤ Transfer Cart



➤ COOPERATES



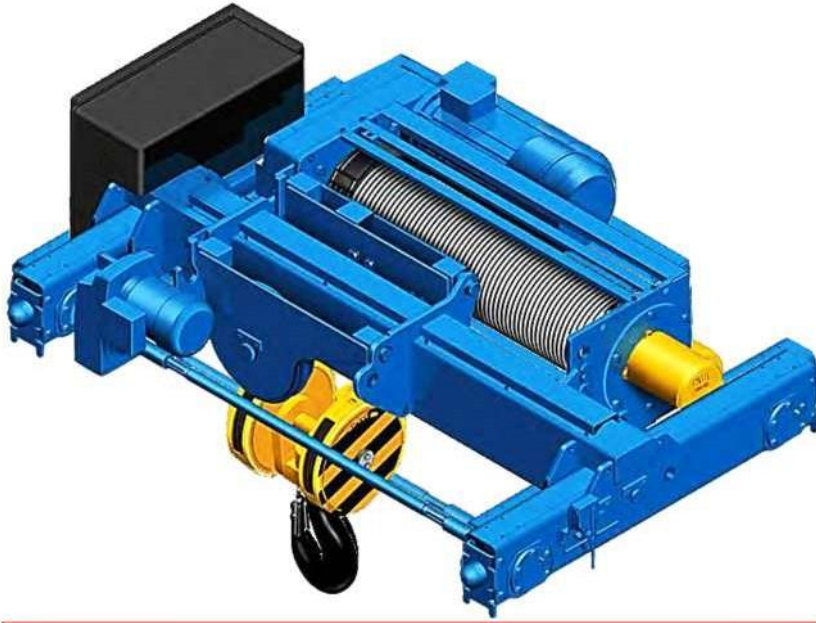
GMD20



GMD30



GMD40



Standard Product Range (1 to 80 Ton)



GMD70



GMD60



GMD50

MOBILIS
ELITE

G
GÜRALP
VİNÇ ve MAKİNA

NANTE
Cranes & Components

➤ REFERENCES



Contact Person : Mohammad Ichsan Rifani
HP / WA : 081319297671
Email : ichsan_rifani@pt-hwk.com



PT. HUTAMA WISESA KERTAKARYA

Ruko Mutiara Taman Palem Blok A 7 / 11

Jl. Kamal Raya Outer Ring Road Cengkareng - Jakarta Barat 11730

Phone : 021 5435 8182 ~ 84, Fax : 021 5435 8185

www.pt-hwk.com